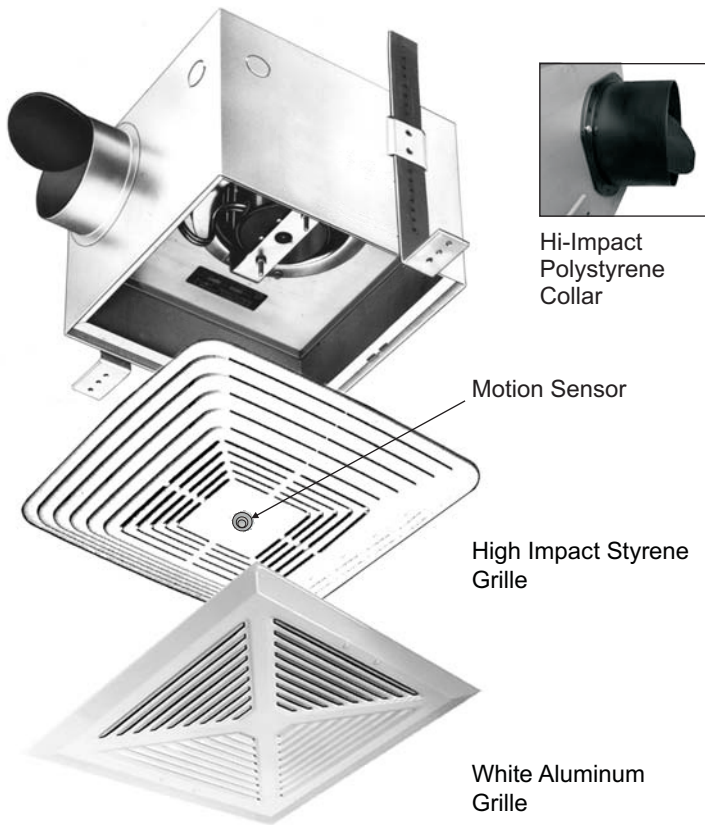


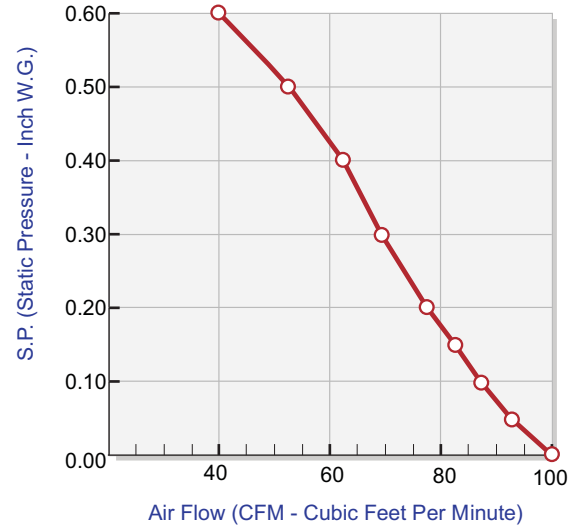


ULTRA QUIET BATHROOM EXHAUST FAN

The QCF-80ES fan is specially designed with exceptionally low noise levels for bathrooms in apartments. It is available with mounting brackets for easy installation. The QCF-80ES is constructed of corrosion resistant heavy gauge satin coat steel.



QCF-80ES FAN DATA



ACCESSORIES

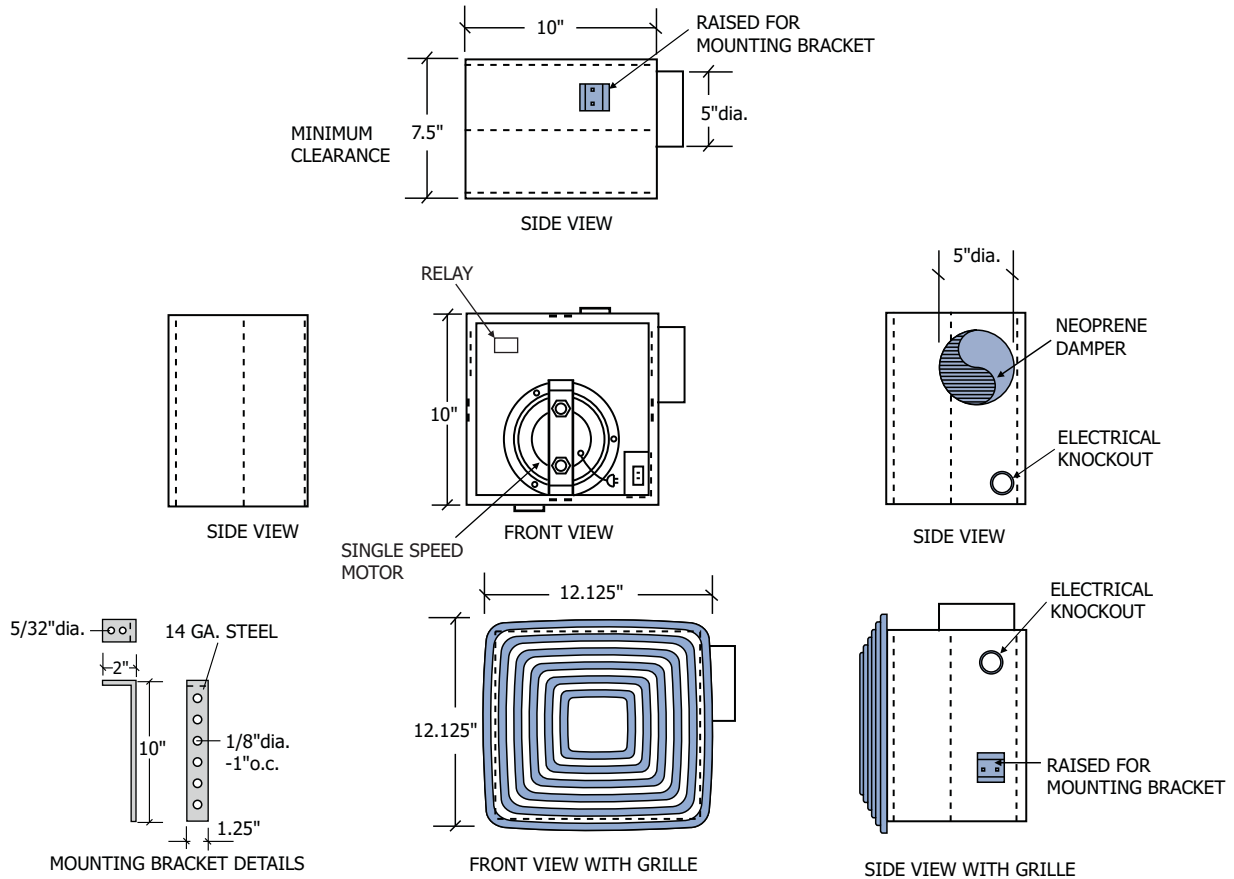
Standard:

- Mounting brackets
- Metal collar with neoprene damper
- High impact styrene grille

Optional:

- Variable speed control
- Aluminum backdraft damper
- Hi-Impact Polystyrene Collar
- Off white aluminum louvered grille
- Baffle
- Inline Transition
- Balance Box
- Motion Sensor





HVI CERTIFIED RATINGS

MODEL	SONES	CFM
QCF-80ES	0.3	80 CFM @ 0.10" S.P.

FAN DATA

MODEL	MOTOR 120 VAC 60 Hz			CUBIC FEET PER MINUTE									
	RPM	AMPS	WATTS	S.P.	0.00	0.05	0.10	0.15	0.20	0.30	0.40	0.50	0.60
QCF-80ES	800	0.20	24	CFM	100	93	87	82	77	69	62	53	40

RPM (Revolution Per Minute) shown is nominal and performance is based on actual speed of test. Unit was tested with inlet grille, backdraft damper and outlet duct.

Contractor:		QCF-80ES		
Architect:	Job:	Date	Supersedes	Drawing No.
Engineer:	Date Submitted:			

Reversomatic Manufacturing Ltd.

790 Rowntree Dairy Road, Woodbridge, ON Canada L4L 5V3 • Tel: 905-851-6701 • Fax: 905-851-8376
www.reversomatic.com • info@reversomatic.com